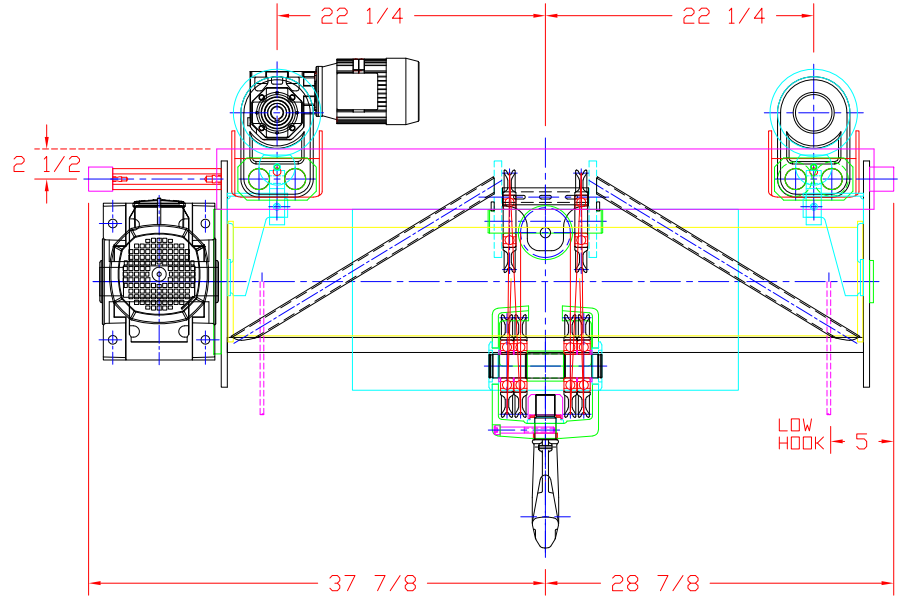
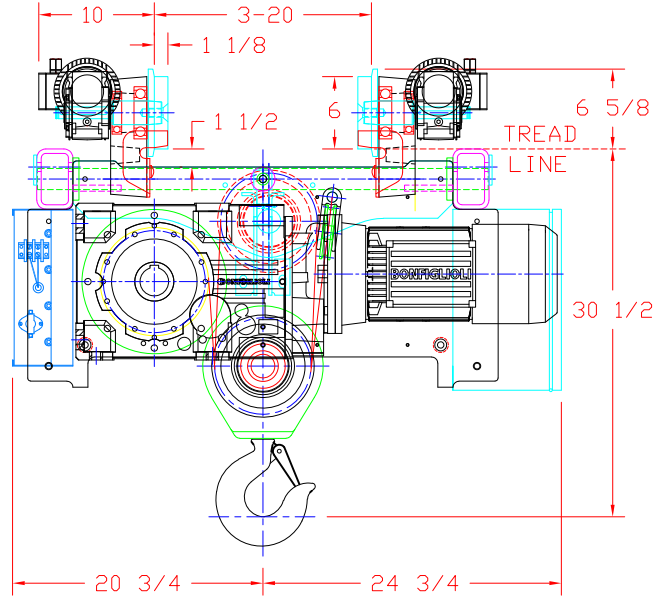
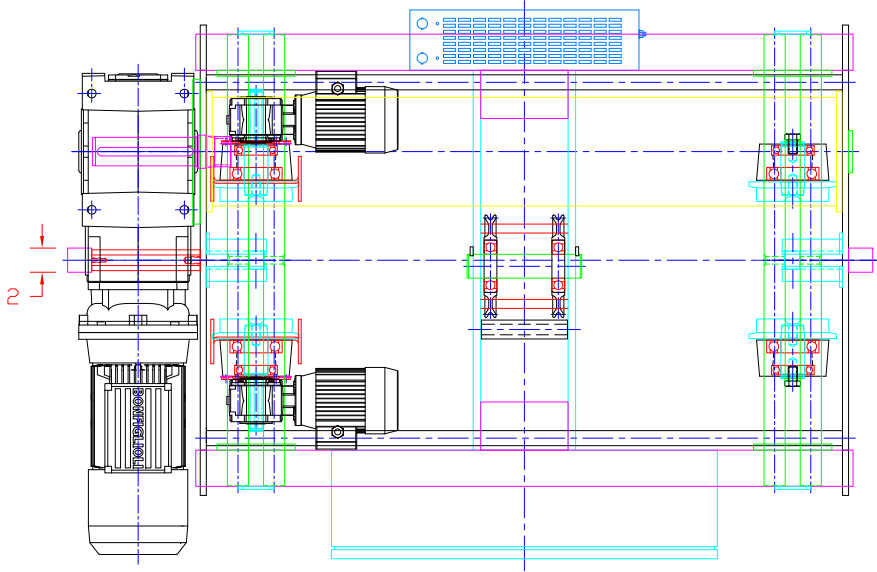


DETROIT HOIST

CUSTOMER	X	
DWG#	BY: X	DATE: X
MODEL / SERVICE	DB22M29-13M80 / CMAA CLASS D	
CAPACITY / TECH	10T METRIC / TRUE VERTICAL LIFT	
LIFT / ROPE / I	29' -1" / 3/8 6x36 4PD / A60 79.7	
HOIST SPEED / KW	13 FPM VAR / 7.4KW / 7.5KW VFD	
HOIST / CONTROLS	HELICAL BEVEL / FLUX VECTOR VFD	
	TORQUE PROVING / BRAKE PROVING	
	LOAD FLOAT / ENCODER CONTROL	
TRLY SPEED / KW	80 FPM VAR / 2 x .55KW / 1.5KW VFD	
TRLY / CONTROLS	WORM DR BEVEL / SENSORLESS VECTOR	
WHEEL LOAD	6200 LBS	
HOIST WEIGHT	1800 LBS	
POWER SUPPLY	230-460V / 3 PHASE / 60HZ	
NO COST OPTIONS		
75HZ HOIST SPEED	16 FPM VAR / UP TO 60% OF LOAD	
90HZ HOIST SPEED	19 FPM VAR / UP TO 30% OF LOAD	
90HZ TRLY SPEED	90 FPM VAR / FULL CAPACITY	



NOTE: SOME OPTIONS WILL CHANGE DIMENSIONAL HOIST LAYOUT

NOTE: X

1:1